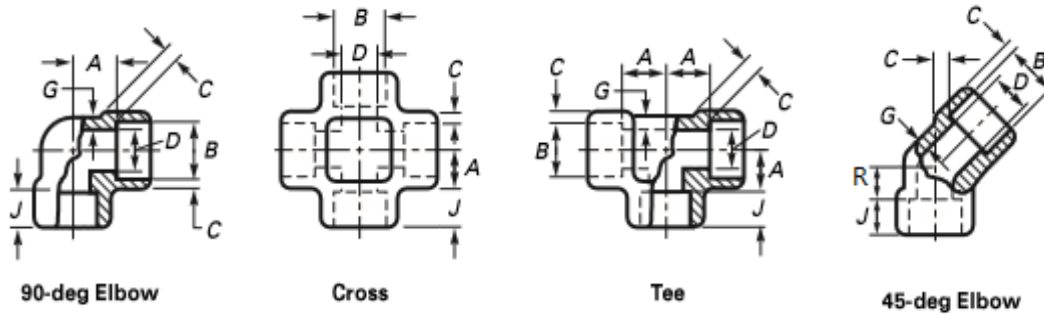


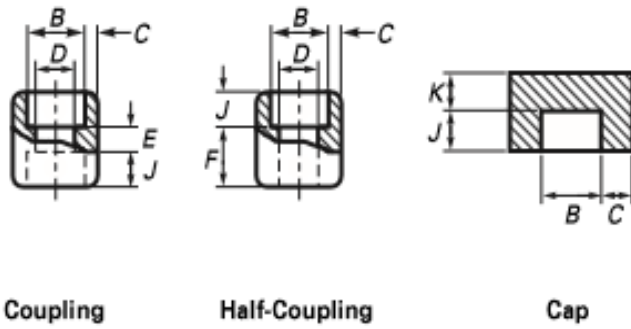
WENZHOU AUH TRADING CO., LTD



FORGED PIPE FITTING				SW ELBOW, CROSS, TEE 3000 / 6000 / 9000LB									
NPS	1/8"	1/4"	3/8"	1/2"	3/4"	1"	1 1/4"	1 1/2"	2"	2 1/2"	3"	4"	
B	11	14.4	17.8	22	27.4	34.1	42.9	49	61.5	74.2	90	115.5	
J min.	9.5	9.5	9.5	9.5	12.5	12.5	12.5	12.5	16	16	16	19	
3000LB	D	6.8	9.3	12.5	15.8	21	26.5	35	40.8	52.5	63	78	102.5
	G min.	2.41	3.02	3.2	3.73	3.91	4.55	4.85	5.08	5.54	7.01	7.6	8.56
	C avg.	3.18	3.78	4.01	4.67	4.9	5.69	6.07	6.35	6.93	8.76	9.5	10.69
	C min	3.18	3.3	3.5	4.09	4.27	4.98	5.28	5.54	6.04	7.67	8.3	9.35
	A	11	11	13.5	15.5	19	22.5	27	32	38	41	57	66.5
	R	8	8	8	11	13	14	17.5	20.5	25.5	28.5	32	41
6000LB	D	4	6.4	9.2	11.7	15.5	20.7	29.5	34	42.8			
	G min.	3.15	3.68	4.01	4.78	5.56	6.35	6.35	7.14	8.74			
	C avg.	3.96	4.6	5.03	5.97	6.93	7.92	7.92	8.92	10.92			
	C min	3.43	4.01	4.37	5.18	6.04	6.93	6.93	7.8	9.5			
	A	11	13.5	15.5	19	22.5	27	32	38	41			
	R	8	8	11	12.5	14	17.5	20.5	25.5	28.5			
9000LB	D				6.5	11	15.2	22.8	28	38			
	G min.				7.47	7.82	9.09	9.7	10.15	11.07			
	C avg.				9.35	9.78	11.4	12.14	12.7	13.84			
	C min				8.18	8.56	9.96	10.62	11.12	12.12			
	A				25.5	28.5	32	35	38	54			
	R				15.5	19	20.5	22.5	25.5	28.5			

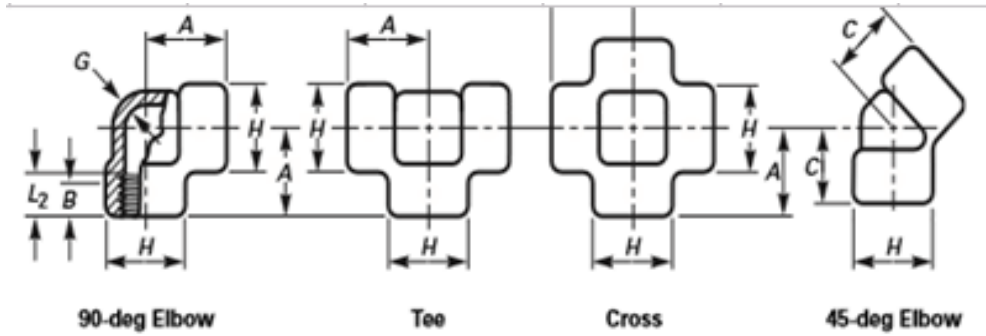
- 1, All dimension are in milimeter.
- 2, According to ASME B16.11-2009

WENZHOU AUH TRADING CO., LTD

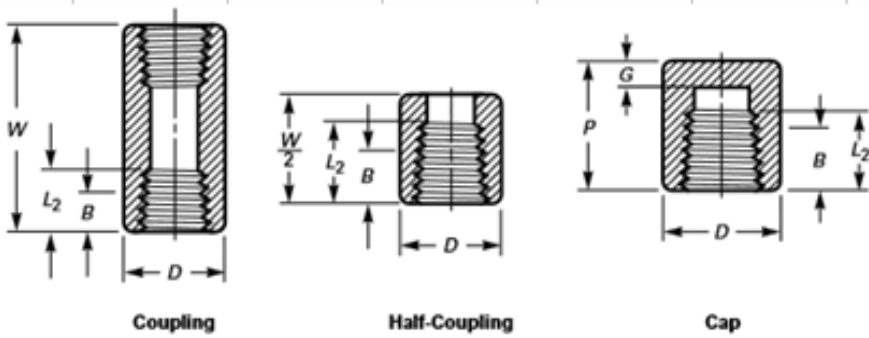


FORGED PIPE FITTING		SW COUPLING, HALF COUPLING, CAP 3000 / 6000/ 9000LB											
	NPS	1/8"	1/4"	3/8"	1/2"	3/4"	1"	1 1/4"	1 1/2"	2"	2 1/2"	3"	4"
	B	11	14.4	17.8	22	27.4	34.1	42.9	49	61.5	74.2	90	115.5
	J min.	9.5	9.5	9.5	9.5	12.5	12.5	12.5	12.5	16	16	16	19
	E	6.5	6.5	6.5	9.5	9.5	12.5	12.5	12.5	19	19	19	19
	F	16	16	17.5	22.5	24	28.5	30	32	41	43	45	48
3000LB	D	6.8	9.3	12.5	15.8	21	26.5	35	40.8	52.5	63	78	102.5
	K	4.8	4.8	4.8	6.4	6.4	9.6	9.6	11.2	12.7	15.7	19	22.4
	C avg.	3.18	3.78	4.01	4.67	4.9	5.69	6.07	6.35	6.93	8.76	9.5	10.69
	C min	3.18	3.3	3.5	4.09	4.27	4.98	5.28	5.54	6.04	7.67	8.3	9.35
6000LB	D	4	6.4	9.2	11.7	15.5	20.7	29.5	34	42.8			
	K	6.4	6.4	6.4	7.9	7.9	11.2	11.2	12.7	15.7	19	22	28.4
	C avg.	3.96	4.6	5.03	5.97	6.93	7.92	7.92	8.92	10.92			
	C min	3.43	4.01	4.37	5.18	6.04	6.93	6.93	7.8	9.5			
9000LB	D				6.5	11	15.2	22.8	28	38			
	K				11.2	12.7	14.2	14.2	15.7	19			
	C avg.				9.35	9.78	11.4	12.14	12.7	13.84			
	C min				8.18	8.56	9.96	10.62	11.12	12.12			

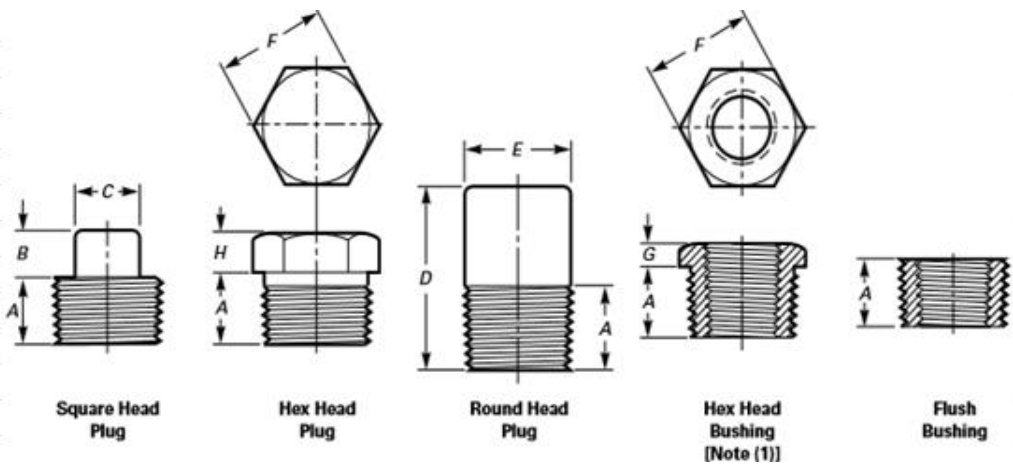
WENZHOU AUH TRADING CO., LTD



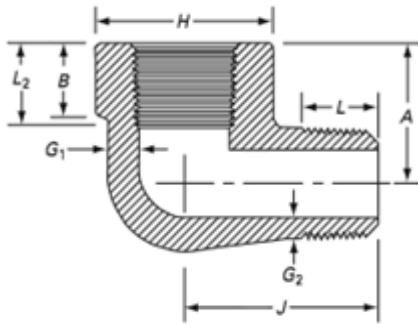
FORGED PIPE FITTINGS		SCREWED ELBOW, TEE, CROSS, 2000 / 3000 / 6000LB											
	NPS	1/8"	1/4"	3/8"	1/2"	3/4"	1"	1 1/4"	1 1/2"	2"	2 1/2"	3"	4"
	B	6.4	8.1	9.1	10.9	12.7	14.7	17	17.8	19	23.6	26	27.7
	L	6.7	10.2	10.4	13.6	13.9	17.3	18	18.4	19.2	28.9	31	33
2000LB	A	21	21	25	28	33	38	44	51	60	76	86	106
	C	17	17	19	22	25	28	33	35	43	52	64	79
	H	22	22	25	33	38	46	56	62	75	92	109	146
	G	3.18	3.18	3.18	3.18	3.18	3.68	3.89	4.01	4.27	5.61	6	6.55
3000LB	A	21	25	28	33	38	44	51	60	64	83	95	114
	C	17	19	22	25	28	33	35	43	44	52	64	79
	H	22	25	33	38	46	56	62	75	84	102	121	152
	G	3.18	3.3	3.51	4.09	4.32	4.98	5.28	5.56	7.14	7.65	8.8	11.18
6000LB	A	25	28	33	38	44	51	60	64	83	95	106	114
	C	19	22	25	28	33	35	43	44	52	64	79	79
	H	25	33	38	46	56	62	75	84	102	121	146	152
	G	6.35	6.6	6.98	8.15	8.53	9.93	10.59	11.07	12.09	15.29	17	18.67



FORGED PIPE FITTINGS		FULL COUPLING, HALF COUPLING, CAP, 3000 / 6000LB											
NPS		1/8"	1/4"	3/8"	1/2"	3/4"	1"	1 1/4"	1 1/2"	2"	2 1/2"	3"	4"
	B	6.4	8.1	9.1	10.9	12.7	14.7	17	17.8	19	23.6	26	27.7
	L	6.7	10.2	10.4	13.6	13.9	17.3	18	18.4	19.2	28.9	31	33
	W	32	35	38	48	51	60	67	79	86	92	108	121
3000LB	P	19	25	25	32	37	41	44	44	48	60	65	68
	D	16	19	22	28	35	44	57	64	76	92	108	140
	G min	4.8	4.8	4.8	6.4	6.4	9.7	9.7	11.2	12.7	15.7	19	22.4
6000LB	P		27	27	33	38	43	46	48	51	64	68	75
	D	22	25	32	38	44	57	64	76	92	108	127	159
	G min		6.4	6.4	7.9	7.9	11.2	11.2	12.7	15.7	19	22	27.7



FORGED PIPE FITTINGS		PLUG (SQUARE, HEX, ROUND), BUSH, 3000 & 6000LB											
NPS		1/8"	1/4"	3/8"	1/2"	3/4"	1"	1 1/4"	1 1/2"	2"	2 1/2"	3"	4"
3000LB, 6000LB	A	10	11	13	14	16	19	21	21	22	27	28	32
	B	6	6	8	10	11	13	14	16	18	19	21	25
	C	7	10	11	14	16	21	24	28	32	36	41	65
	D	35	41	41	44	44	51	51	51	64	70	70	76
	E	10	14	18	21	27	33	43	48	60	73	89	114
	G		3	4	5	6	6	7	8	9	10	10	13
	H	6	6	8	8	10	10	14	16	18	19	21	25



FORGED PIPE FITTINGS				STREET ELBOW SCREWED 3000 / 6000LB						
NPS	1/8"	1/4"	3/8"	1/2"	3/4"	1"	1 1/4"	1 1/2"	2"	
B	6.4	8.1	9.1	10.9	12.7	14.7	17	17.8	19	
L2	6.7	10.2	10.4	13.6	13.9	17.3	18	18.4	19.2	
L	10	11	13	14	16	19	21	21	22	
3000LB	H	19	25	32	38	44	51	62	70	84
	A	19	22	25	28	35	44	51	54	64
	J	25	32	38	41	48	57	66	71	84
	G1	3.18	3.3	3.51	4.09	4.32	4.98	5.28	5.56	7.14
	G2	2.74	3.22	3.5	4.16	4.88	5.56	5.56	6.25	7.64
	6000LB	H	25	32	38	44	51	62	70	84
A		22	25	28	35	44	51	54	64	83
J		32	38	41	48	57	66	71	84	109
G1		5.08	5.66	6.98	8.15	8.53	9.93	10.59	11.07	12.09
G2		4.22	5.28	5.59	6.53	6.86	7.95	8.48	8.89	9.7

CLASS Designation and NPS Size Range

	SCREWED			SOCKET WELD		
	2000LB	3000LB	6000LB	3000LB	6000LB	9000LB
45EL,90EL,TEE	1/8"~4"	1/8"~4"	1/8"~4"	1/8"~4"	1/8"~2"	1/2"~2"
	1/8"~4"	1/8"~4"	1/8"~4"	1/8"~4"	1/8"~2"	1/2"~2"
CPLG, CAP		1/8"~4"	1/8"~4"	1/8"~4"	1/8"~2"	1/2"~2"
		1/8"~4"	1/8"~4"	1/8"~4"	1/8"~2"	1/2"~2"
Street Elbow		1/8"~2"	1/8"~2"			
Plug, Bushing	1/8"~4"	1/8"~4"	1/8"~4"			
	1/8"~4"	1/8"~4"	1/8"~4"			

Note: Plugs and bushings are not identified by class designation, they may be used for rating up through class 6000 designation

Correlation of fittings class with schedule number/wall designation of Pipe for calculation of rates

CLASS	TYPE	PIPE SCH/	w.t.
2000	Threaded	80	XS
3000	Threaded	160	
6000	Threaded		XXS
3000	SW	80	XS
6000	SW	160	
9000	SW		XXS

Note: The table is not intended to restrict the use of pipe of thinner or thicker wall with fittings. Pipe actually used may be thinner or thicker in nominal wall than that shown here. When thinner pipe is used, its strength may govern the rating. When thicker pipe is used (e.g., for mechanical strength), the strength of the fitting governs the rating.

Method of Designation outlets of reducing tees and crosses

